

**CA-7<sup>®</sup>**

---

Reference Summary  
3.3

This documentation and related computer software program (hereinafter referred to as the "Documentation") is for the end user's informational purposes only and is subject to change or withdrawal by Computer Associates International, Inc. ("CA") at any time.

THIS DOCUMENTATION MAY NOT BE COPIED, TRANSFERRED, REPRODUCED, DISCLOSED, OR DUPLICATED, IN WHOLE OR IN PART, WITHOUT THE PRIOR WRITTEN CONSENT OF CA. THIS DOCUMENTATION IS PROPRIETARY INFORMATION OF CA AND PROTECTED BY THE COPYRIGHT LAWS OF THE UNITED STATES AND INTERNATIONAL TREATIES.

TO THE EXTENT PERMITTED BY APPLICABLE LAW, CA PROVIDES THIS DOCUMENTATION "AS IS" WITHOUT WARRANTY OF ANY KIND, INCLUDING WITHOUT LIMITATION, ANY IMPLIED WARRANTIES OF MERCHANTABILITY, FITNESS FOR A PARTICULAR PURPOSE, OR NONINFRINGEMENT. IN NO EVENT WILL CA BE LIABLE TO THE END USER OR ANY THIRD PARTY FOR ANY LOSS OR DAMAGE, DIRECT OR INDIRECT, FROM THE USE OF THIS DOCUMENTATION, INCLUDING WITHOUT LIMITATION, LOST PROFITS, BUSINESS INTERRUPTION, GOODWILL, OR LOST DATA, EVEN IF CA IS EXPRESSLY ADVISED OF SUCH LOSS OR DAMAGE.

THE USE OF ANY PRODUCT REFERENCED IN THIS DOCUMENTATION AND THIS DOCUMENTATION IS GOVERNED BY THE END USER'S APPLICABLE LICENSE AGREEMENT.

The manufacturer of this documentation is Computer Associates International, Inc.

Provided with "Restricted Rights" as set forth in 48 C.F.R. Section 12.212, 48 C.F.R. Sections 52.227-19(c)(1) and (2) or DFARS Section 252.227.7013(c)(1)(ii) or applicable successor provisions.

**First Edition, September 2000**

© 1988-2000 Computer Associates International, Inc.  
One Computer Associates Plaza, Islandia, NY 11749  
All rights reserved.

All trademarks, trade names, service marks, or logos referenced herein belong to their respective companies.

# Contents

---

<b>Introduction</b> . . . . .	v
<b>Chapter 1. Inquiry Commands</b> . . . . .	1-1
<b>Chapter 2. System Commands</b> . . . . .	2-1
<b>Chapter 3. Work Flow Control Commands</b> . . . . .	3-1
<b>Chapter 4. Work Flow Display Commands</b> . . . . .	4-1
<b>Chapter 5. Schedule Scan Command</b> . . . . .	5-1
<b>Chapter 6. Resolve Command</b> . . . . .	6-1
<b>Chapter 7. Scheduled Override Statements</b> . . . . .	7-1
<b>Chapter 8. Text Editor Commands</b> . . . . .	8-1
8.1.1 Alternate Edit Mode . . . . .	8-1
8.1.2 Full Edit Mode . . . . .	8-2
<b>Chapter 9. Forecasting Commands</b> . . . . .	9-1
<b>Chapter 10. Workload Balancing Commands</b> . . . . .	10-1
<b>Chapter 11. Workload Planning Commands</b> . . . . .	11-1
<b>Chapter 12. Automated Performance Analysis Commands</b> . . . . .	12-1
<b>Chapter 13. Utility Commands</b> . . . . .	13-1
<b>Chapter 14. Automated Recovery Facility Panels</b> . . . . .	14-1
<b>Chapter 15. Database Maintenance Panels</b> . . . . .	15-1
<b>Chapter 16. Queue Maintenance Panels</b> . . . . .	16-1
<b>Chapter 17. Virtual Resource Management Panels</b> . . . . .	17-1
<b>Chapter 18. Utility Panels</b> . . . . .	18-1
<b>Chapter 19. History Reports</b> . . . . .	19-1
<b>Chapter 20. Workload Planning Reports</b> . . . . .	20-1
<b>Chapter 21. CA-Earl and CA-Easytrieve Plus Reports</b> . . . . .	21-1
21.1 Reports Available from Log History Data . . . . .	21-2

21.2 Reports Available from Database Backup . . . . . 21-4

# Introduction

---

This booklet summarizes CA-7 commands, panels, and reports. It is intended as a quick reference guide for production and operations users who are familiar with CA-7. Refer to the following guides for more information on CA-7 functions:

- *CA-7 Commands Guide*
- *CA-7 Database Maintenance Guide*
- *CA-7 Reports Guide*
- *CA-7 Primer*

For information about reading syntax diagrams, see the *CA-7 Commands Guide*.



# Chapter 1. Inquiry Commands

---

**Reference:** CA-7 Commands Guide

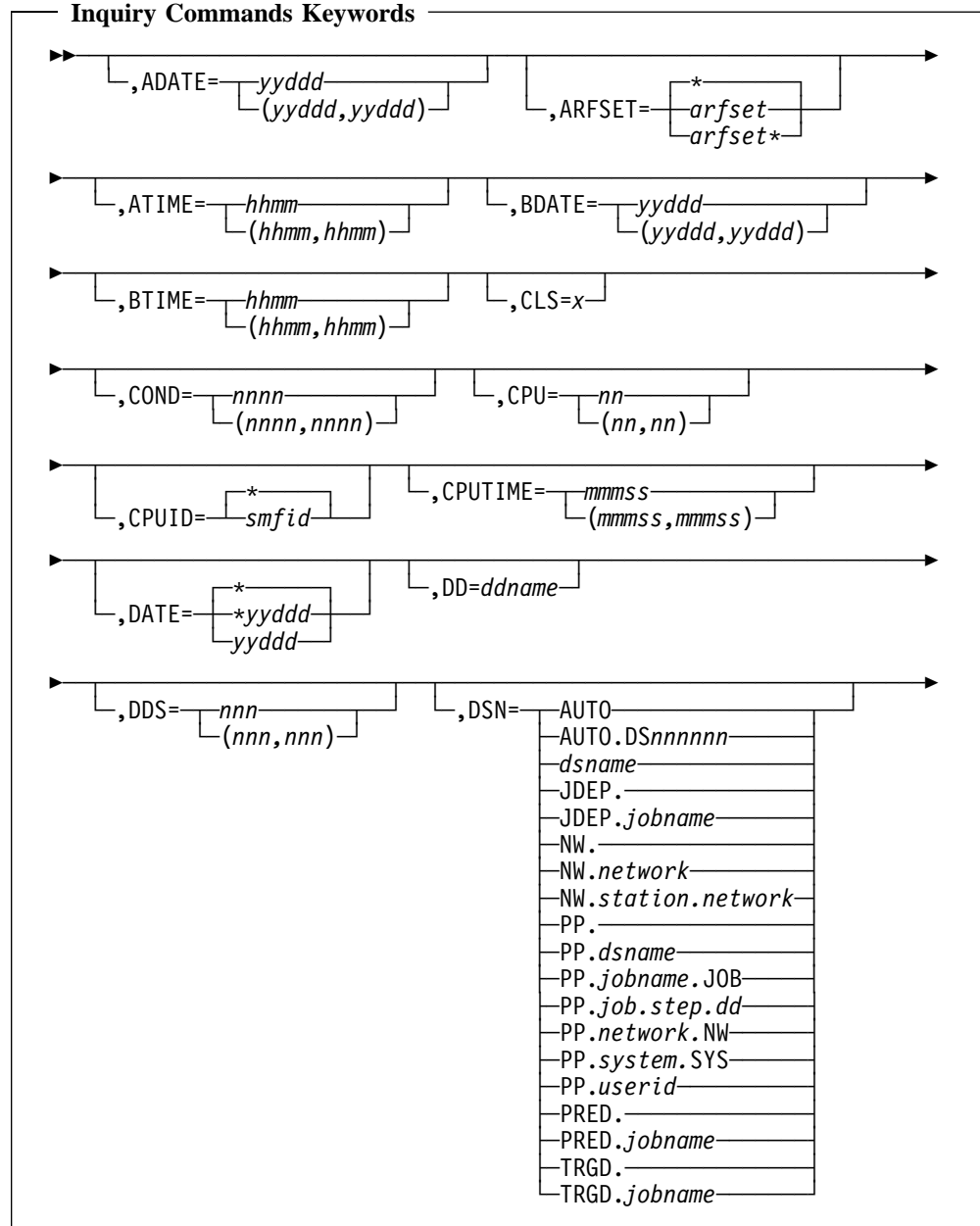
These commands provide information about the system, its components, and its operation, including database contents, catalog entries, queue information, job status, and schedule information.

Command	Keywords
FLOWL	FLOW, LIST
HELP	
LACT	JOB, LIST, SCHID, SEG, SEQ, ST, SYS
LACTR	CPUID, JOB, MAINID, SCHID, SEQ, SYS
LARF	ARFSET, LIST
LARFQ	JOB
LCTLG	DSN, VOLSER
LDSN	DSN, DSNBR, LIST, USERS
LDTM	JOB, LIST, OUTAGE, SYS
LIST	JOB, PROSE
LJCK	DATE, JOB, JCLLIB, LIST, MEM, SCHID, TIME
LJCL	JOB
LJES	CPUID, JOB, Q
LJOB	ADATE, ATIME, ARFSET, BDATE, BTIME, CLS, COND, CPU, CPUTIME, DDS, DSNLEAD, DSNMSG, ELT, EXEC, HOLD, JCLID, JCLLIB, JCLOVRD, JOB, JOBLEAD, JOBNET, LATES, LIST, LMTDATE, LMNTTIME, LMNTTYPE, LRUNDATE, LRUNTIME, LTERM, MAINID, MAINT, MEMBER, MSGCLASS, NXTCYC, OVRDLIB, OWNER, PROMPTS, PROSE, PRTY, REGION, RELOAD, RESTARTS, RETAIN, RMS, RO, RQLIST, RQMTMSG, RUNS, SCHEDULE, STEPREST, STEPS, SYS, TP1, TP1C, TP1M, TP2, TP2C, TP2M, USERID, VERIFY
LJOBR	Refer to LJOB for keywords. LJOBR has no LIST option.
LLIB	DSN, LIST, MEM
LLOCK	DSN, DSNBR, JOB, LIST, SYS
LNTWK	DSN, DSNBR, LIST, NW
LPDS	DSN, MEM, VOLSER

<b>Command</b>	<b>Keywords</b>
LPOST	JOB, LIST, NW, SEG, SEQ, ST, STN, SUBID
LPRE	JOB, LIST, NW, SEG, SEQ, ST, STN, SUBID
LPROS	DD, DSN, DSNBR, JOB, LIST, NW, SEG, STEP, SYS, UID
LPRRN	JOB, LIST, SEG, SEQ, SYS
LQ/LQUE	JOB, LIST, SCHID, SEG, SEQ, ST, SYS
LQP/LQUEP	JOB, LIST, SCHID, SEQ, SYS
LQR/LQUER	CPUID, JOB, MAINID, SCHID, SEQ, SYS
LRDY	JOB, LIST, SCHID, SEG, SEQ, ST, SYS
LRDYP	JOB, LIST, SCHID, SEQ, SYS
LRDYR	CPUID, JOB, MAINID, SCHID, SEQ, SYS
LREQ	JOB, LIST, SCHID, SEG, SEQ, ST, SYS
LREQP	JOB, LIST, SCHID, SEQ, SYS
LREQR	CPUID, JOB, MAINID, SCHID, SEQ, SYS
LRES	JOB, Q, SYS
LRLOG	DATE, JOB, LIST, NW, OPT, SCHID, SEQ, SPAN, ST, SUBID, SYS
LRMD	JOB, SEQ, ST, STN
LSCHD	DSNBR, JOB, LIST, NW, SCAL, ST, STN, SYS
LSYS	JOB, LIST, SYS
LWLB	LIST, MOD
PRINT	SCAL, YEAR

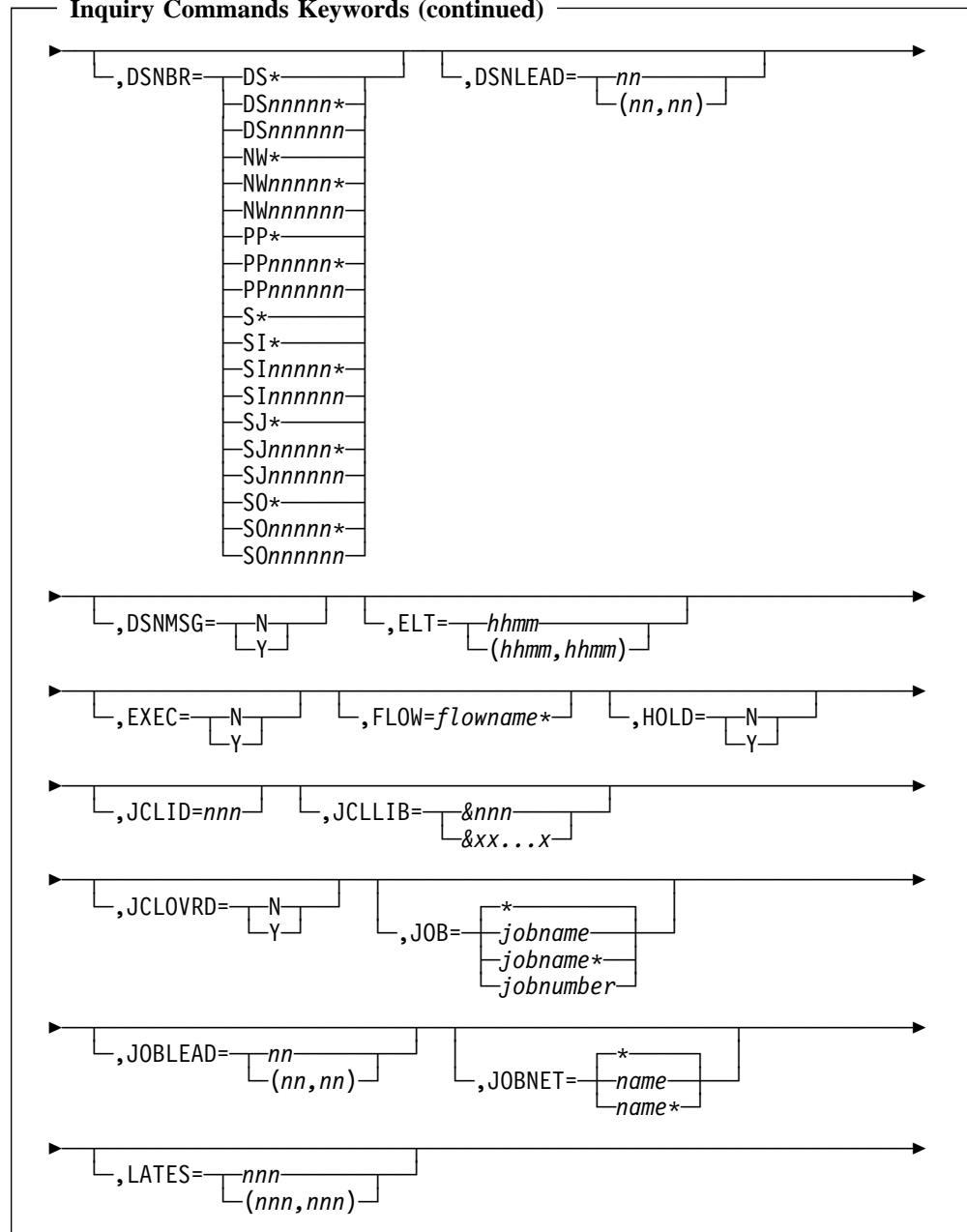


The following syntax diagram summarizes keyword values for these commands.



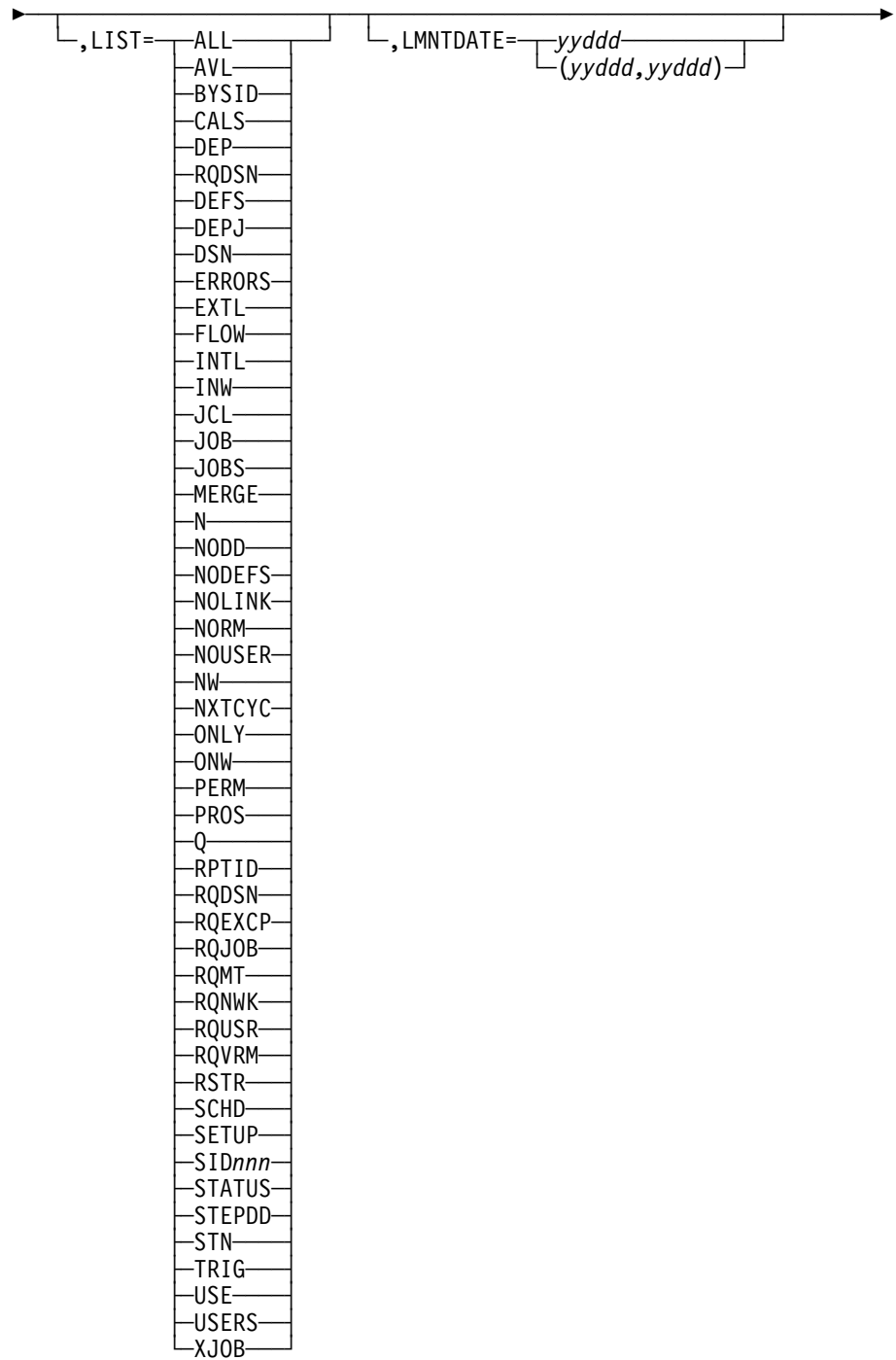
(continued)

**Inquiry Commands Keywords (continued)**



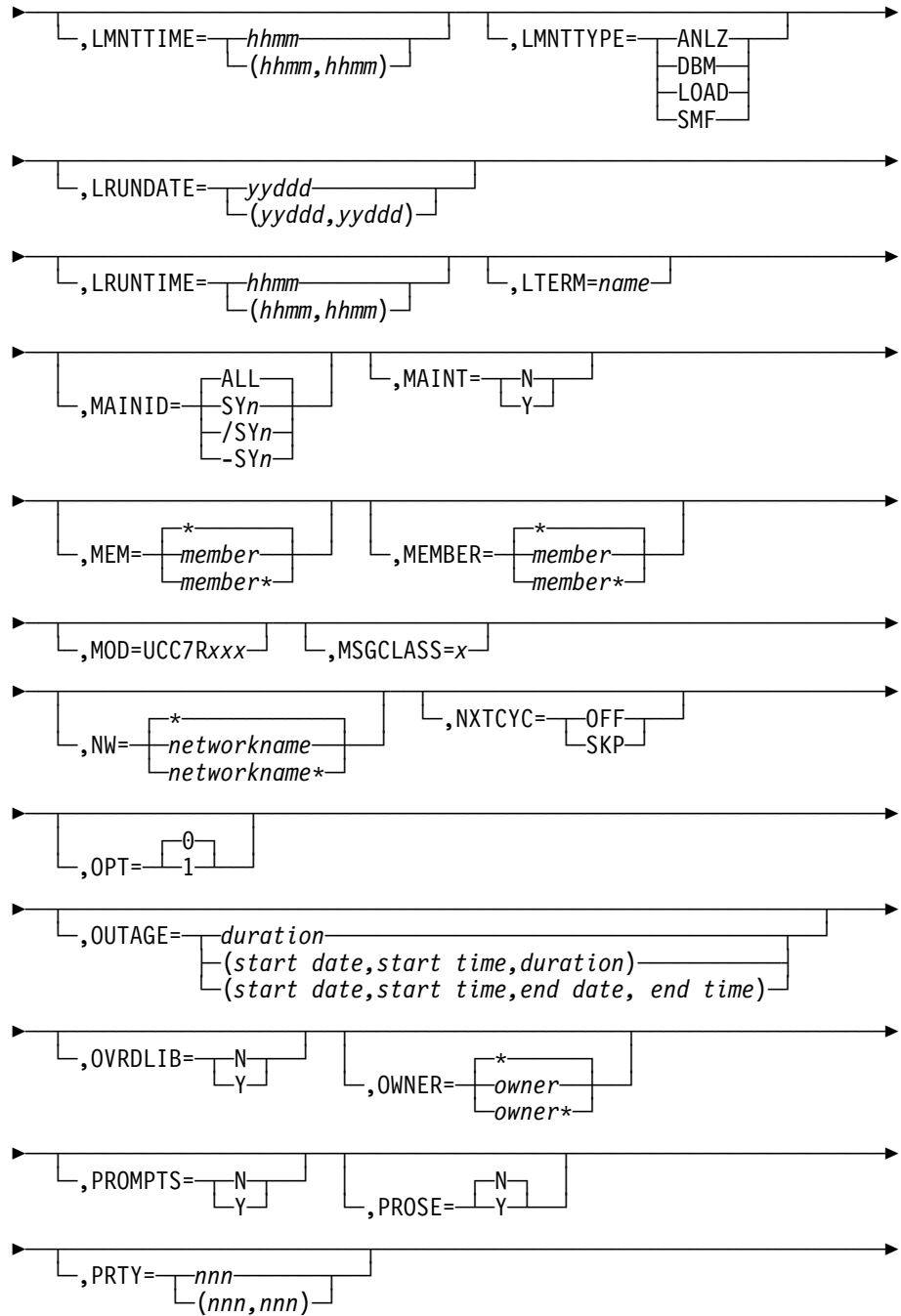
(continued)

**Inquiry Commands Keywords (continued)**



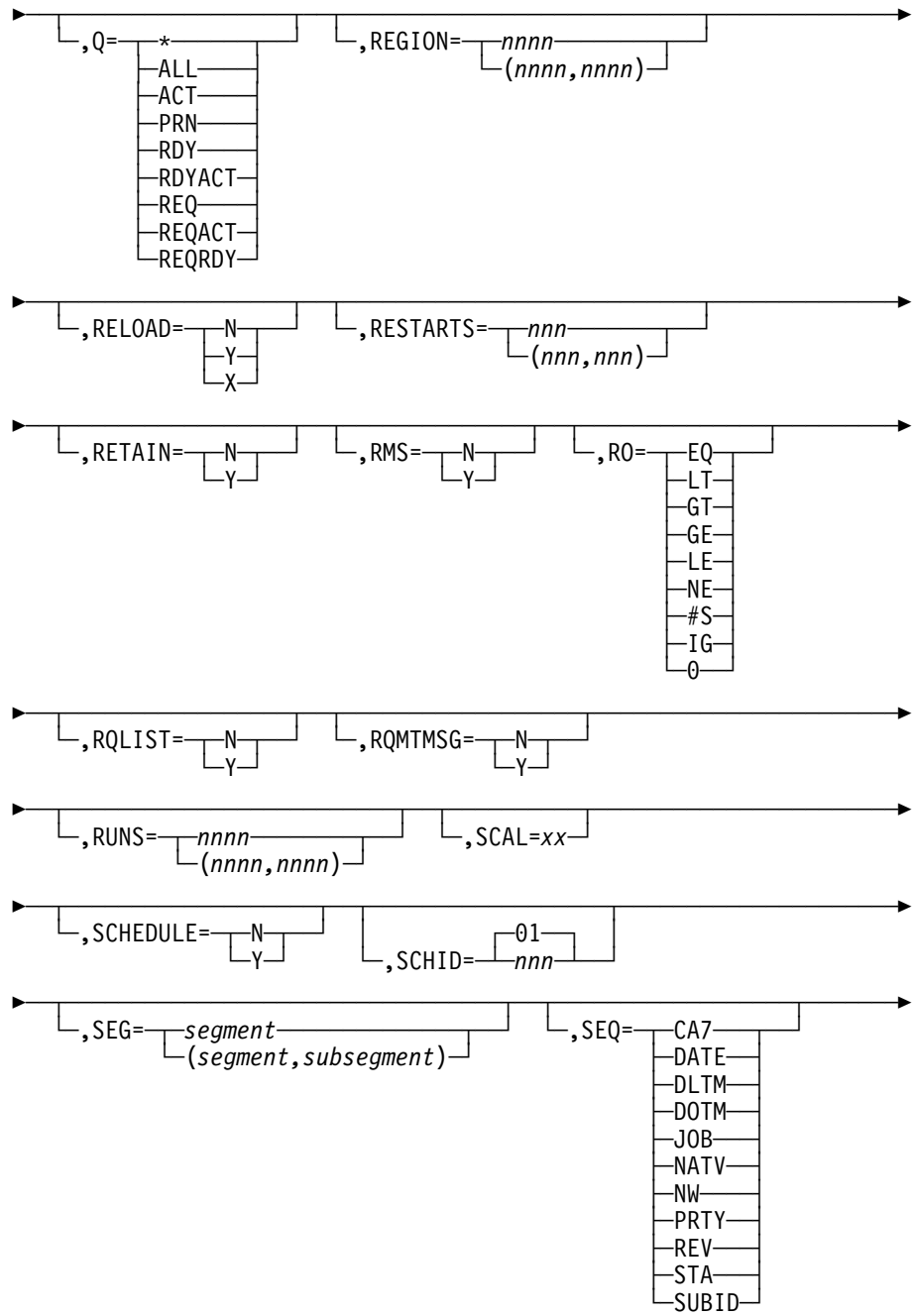
*(continued)*

**Inquiry Commands Keywords (continued)**



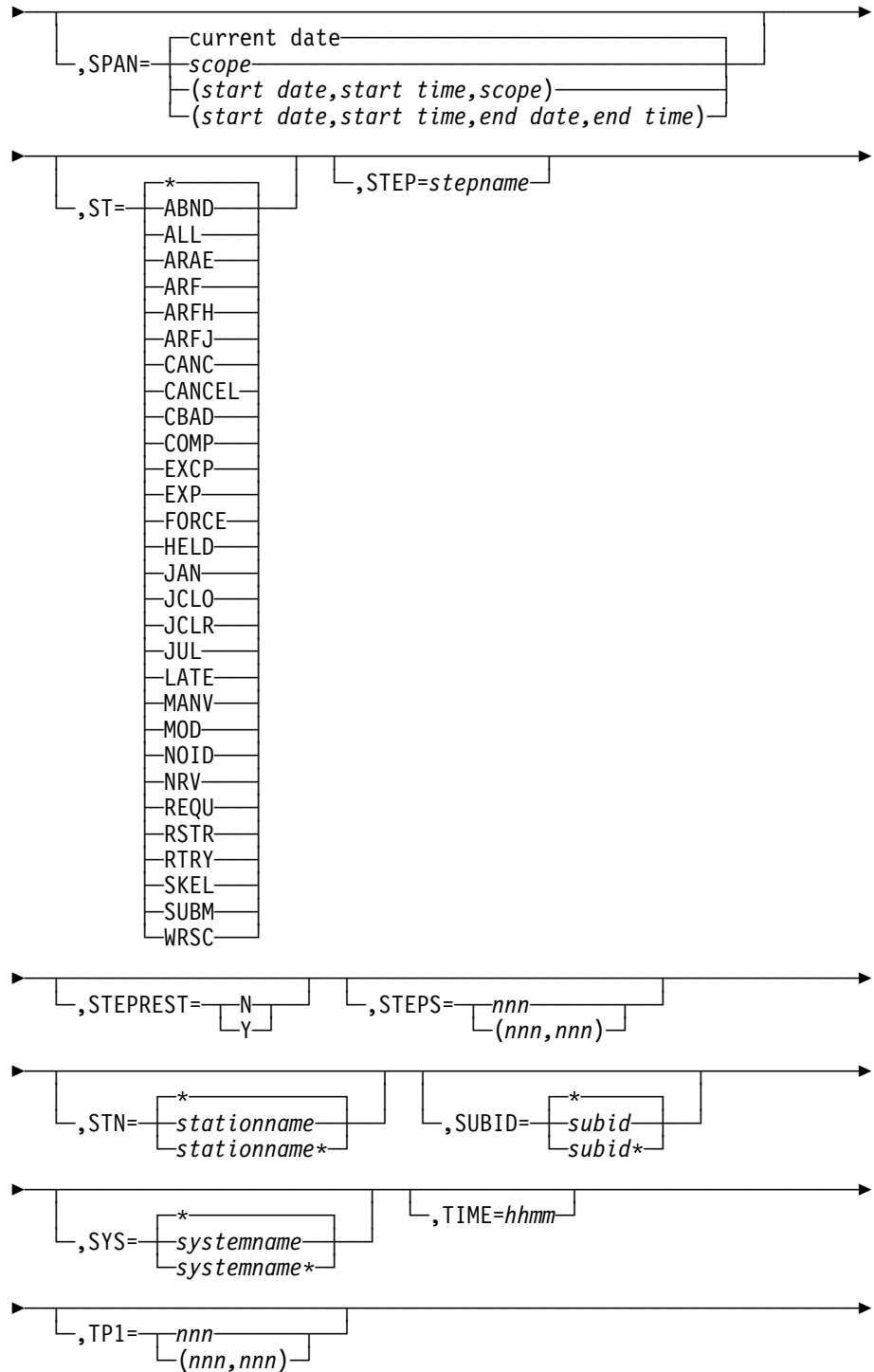
(continued)

**Inquiry Commands Keywords (continued)**



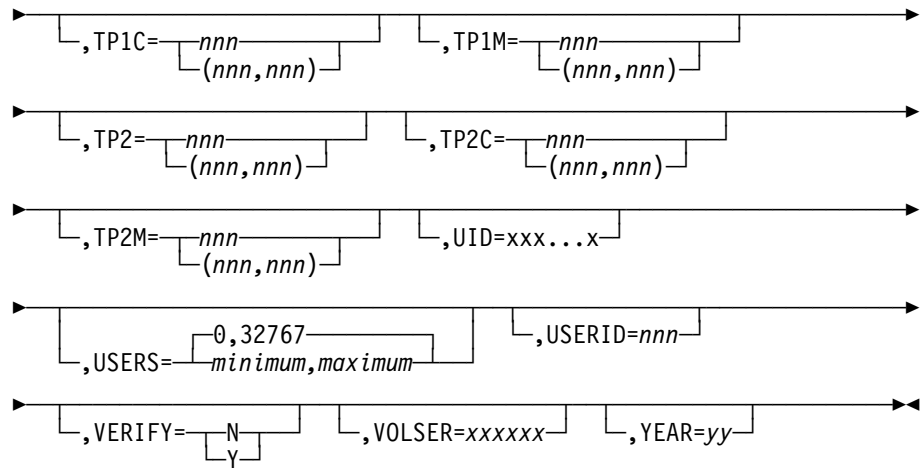
(continued)

**Inquiry Commands Keywords (continued)**



(continued)

**Inquiry Commands Keywords (continued)**







## Chapter 2. System Commands

---

**Reference:** CA-7 Commands Guide

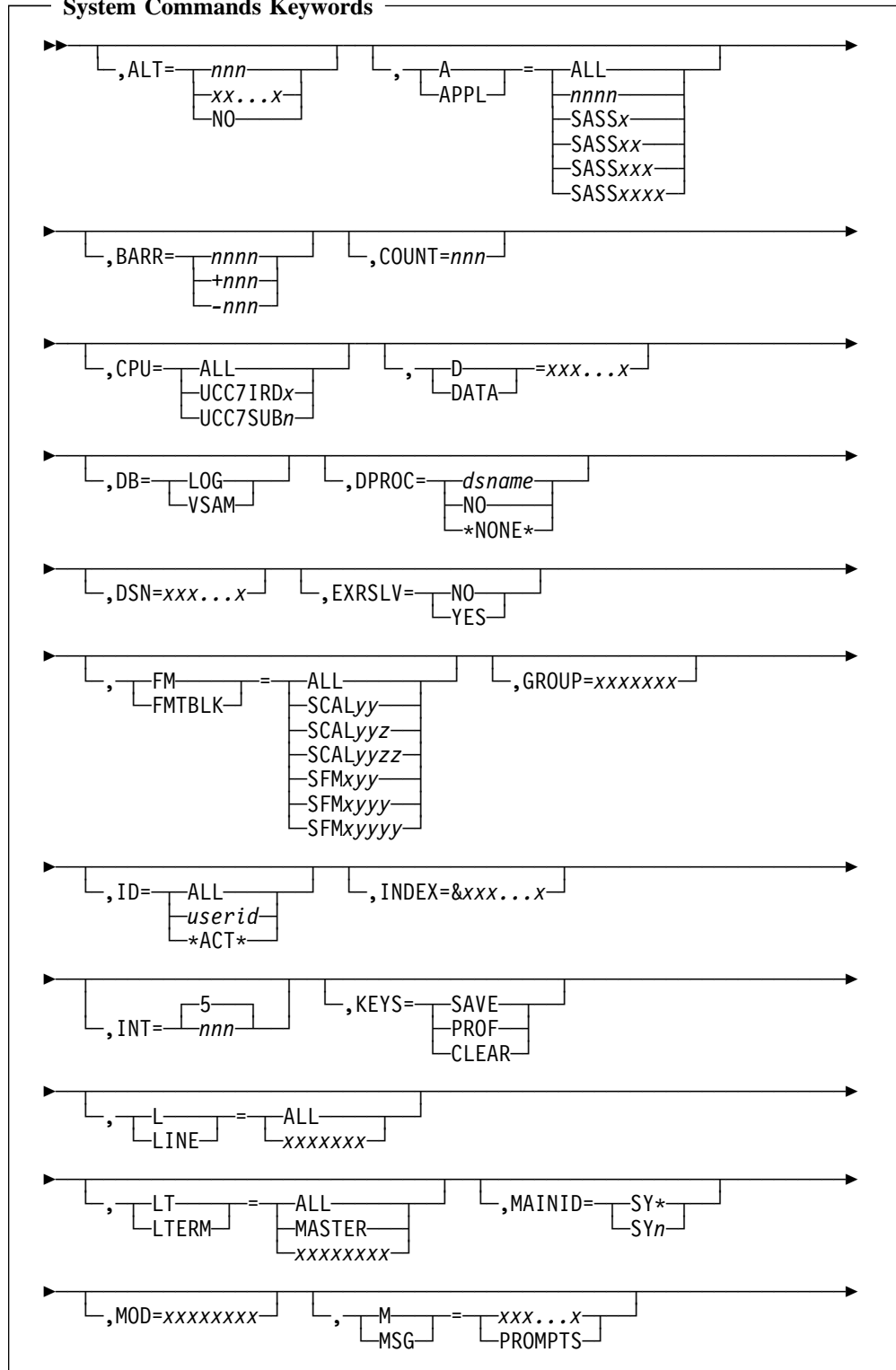
These commands allow the CA-7 terminal operator to perform various functions.

Command	Keywords
/ASSIGN	BARR, CPU, LTERM, MAINID, TERM
/AUTO	COUNT, INT, MSG
/BRO	MSG, TERM
/CHANGE	APPL, OPERID, PRTY, TERM
/CLOSE	GROUP, TERM
/COPY	LTERM
/DISPLAY	APPL, CPU, DB, FMTBLK, LINE, LTERM, POOLS, PRINT, Q, STATUS, TERM
/ECHO	MSG
/FETCH	
/JCL	ALT, DPROC, DSN, INDEX, LTERM, OPT
/LOG	DATA
/LOGOFF	TERM
/LOGON	NPW, password, PRM, PSW, userid
/MSG	ID, LTERM, MSG
/NXTMSG	
/OPEN	GROUP, TERM
/OPERID	
/OPERIDS	ID
/PAGE	
/PAnn	MSG
/PFnn	MSG
/PROF	EXRSLV, KEYS, R, ST
/PROFS	EXRSLV, ID, KEYS, R, ST
/PURGPG	LTERM
/REFRESH	MOD

<b>Command</b>	<b>Keywords</b>
/RELINK	APPL, FMTBLK, USERID
/RESET	
/SHUTDOWN	DMPQ, Zn
/START	LINE, LTERM, MSG, TERM
/STOP	LINE, LTERM, MSG, TERM
/SWAP	
/UID	R, LIST
/WLB	BARR, SET
/WTO	MSG

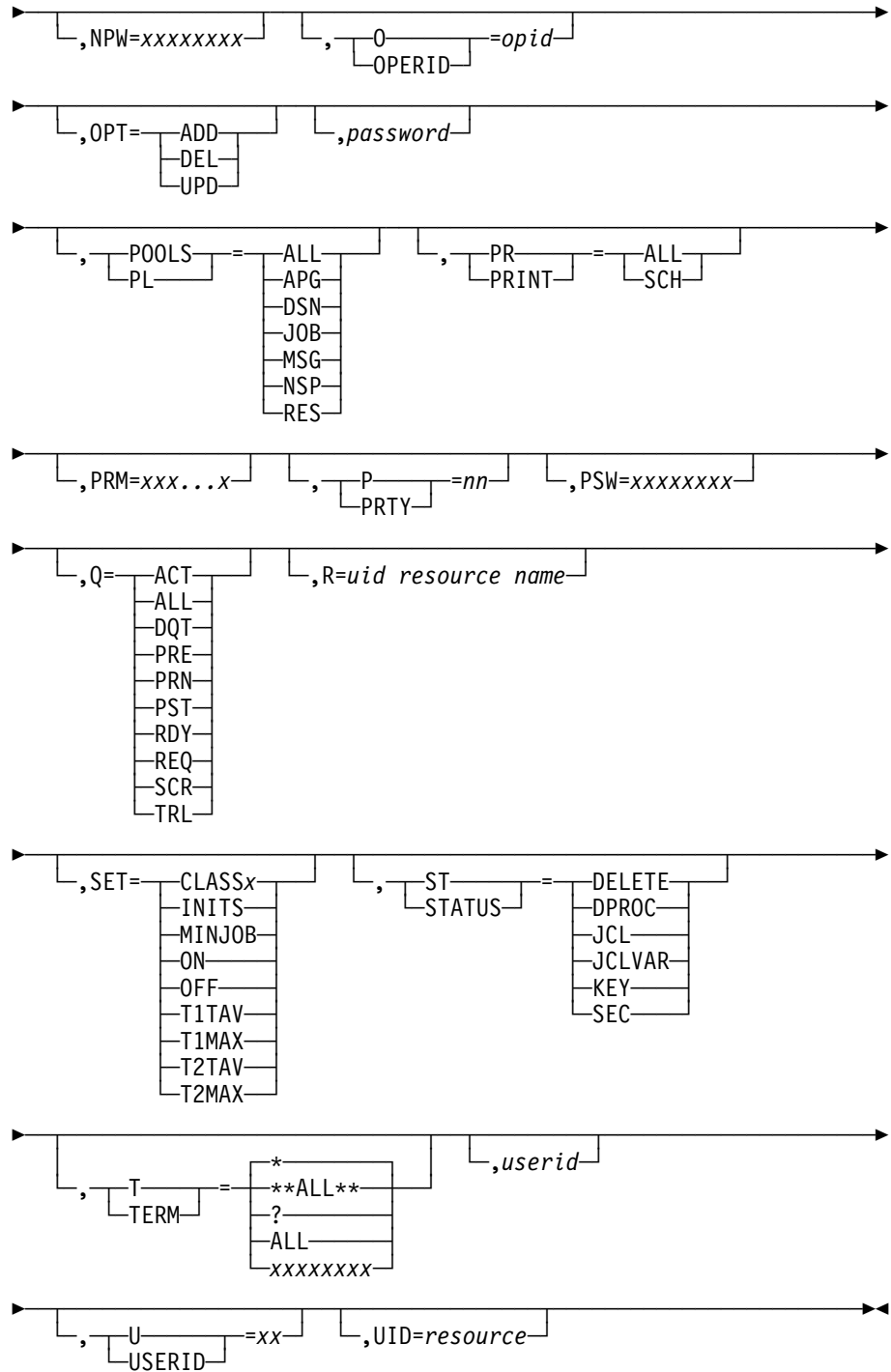
The following syntax diagram summarizes keyword values for these commands.

### System Commands Keywords



(continued)

**System Commands Keywords (continued)**



## Chapter 3. Work Flow Control Commands

---

**Reference:** CA-7 Commands Guide  
CA-7 Database Maintenance Guide

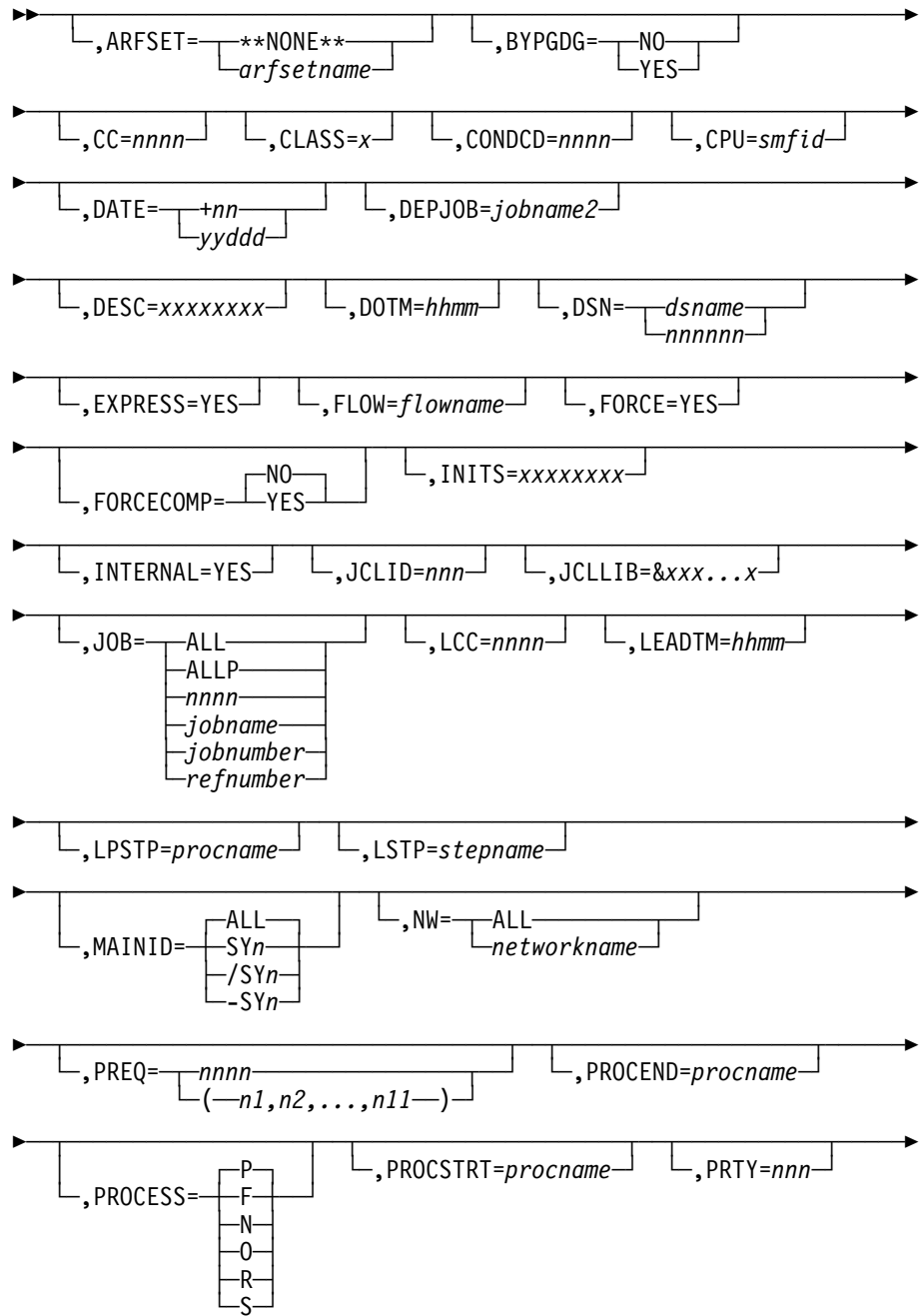
Use these commands to monitor and modify jobs under CA-7 control.

Command	Keywords
ADDRQ	DEPJOB, JOB, USR
ADDSCHE	JOB, REF, TIME
ARFP	FORCE, JOB
CANCEL	FORCE, JOB, NW, REASON, SUBID
DEMAND DEMANDH	ARFSET, CC, CLASS, DATE, DEPJOB, DOTM, JCLID, JCLLIB, JOB, LEADTM, PRTY, RO, SCHID, SET, TIME, TYPE
DIRECT	JOB, MAINID
DMDNW	DESC, JOB, LEADTM, NW, SCHID, SUBID
FLOWD	DATE, FLOW, TIME
HOLD	JOB, Q
IN	FORCE, REF
IO	FORCE, REF
JCLOVRD	JOB, SET
LOAD LOADH	CLASS, DOTM, JCLID, JCLLIB, JOB, LEADTM, SCHID, TIME
LOGIN	FORCE, INITS, JOB, NW, STATION, SUBID
LOGOUT	FORCE, INITS, JOB, NW, STATION, SUBID
NOPRMP	JOB, REF
NXTCYC	JOB, SET
OUT	REF
POST	DEPJOB, DSN, INTERNAL, JOB, NW, PREQ, USR
PRMP	JOB, REF
PRSCF	FORCE, JOB, RSRC
PRSQA	RSRC
PRSQD	RSRC

<b>Command</b>	<b>Keywords</b>
QJCL	
QM	
RELEASE	JOB, Q
REMIND	DATE, STATION, SUBID, TIME
REQUEUE	CPU, JOB, MAINID, Q, TYPE
RESTART	BYPGDG, CONDCD, FORCECOMP, JOB, LCC, LPSTP, LSTP, PROCEND, PROCESS, PROCSTRT, REASON, STPEND, STPSTRT, SUP11STP, USAGE
RSVP	JOB, NW, REF, STATION, SUBID
RUN RUNH	ARFSET, CLASS, DOTM, JCLID, JCLLIB, JOB, LEADTM, SCHID, TIME, TYPE
RUNNW	DESC, JOB, LEADTM, NW, SCHID, SUBID
RUSH	JOB, REF
START	Q
STOP	Q
SUBMIT	EXPRESS, JOB
SUBSCH	JOB, REF, TIME
SUBTM	JOB, TIME
VERIFY	JOB, SET

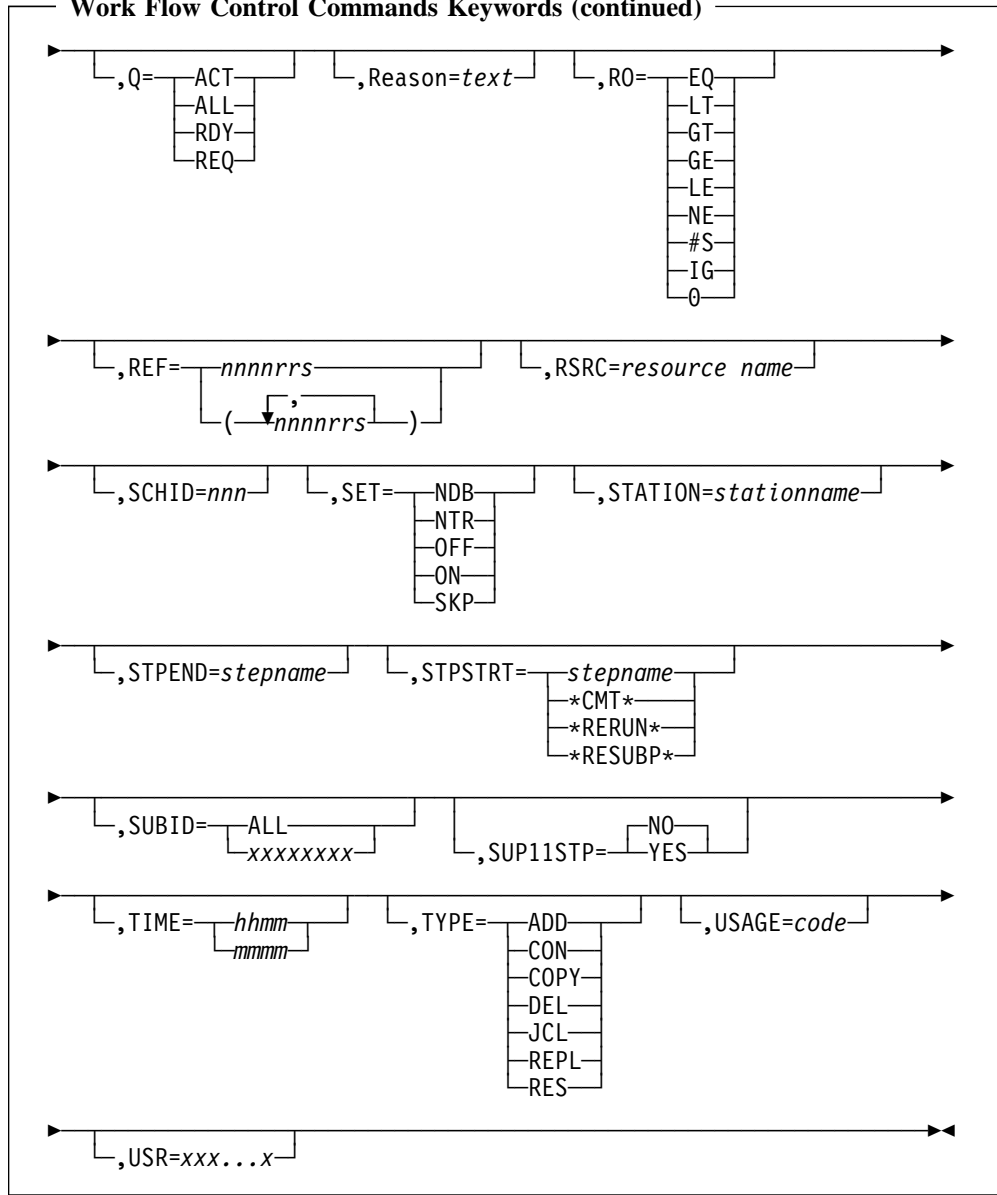
The following syntax diagram summarizes keyword values for these commands.

### Work Flow Control Commands Keywords



(continued)

**Work Flow Control Commands Keywords (continued)**





## Chapter 4. Work Flow Display Commands

---

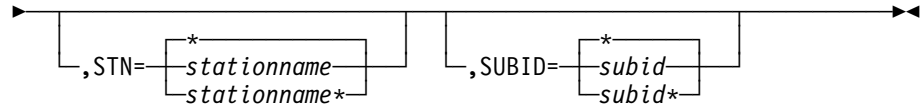
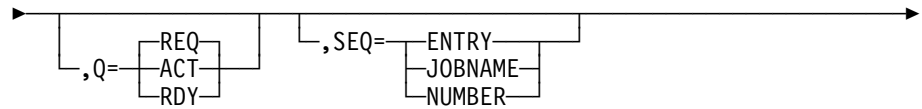
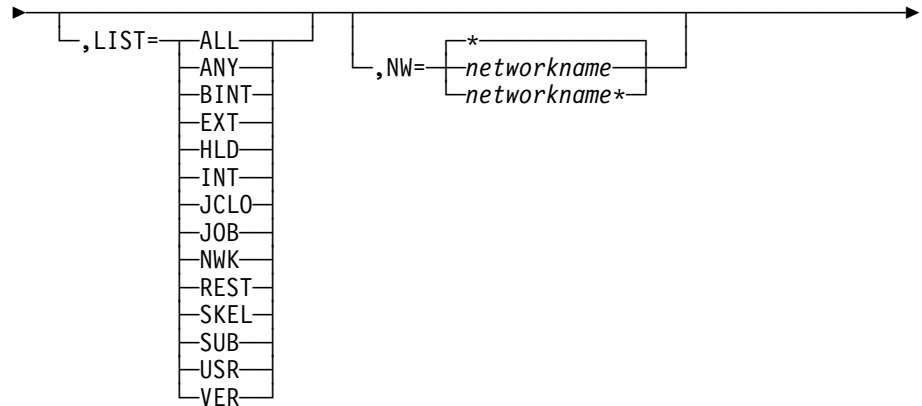
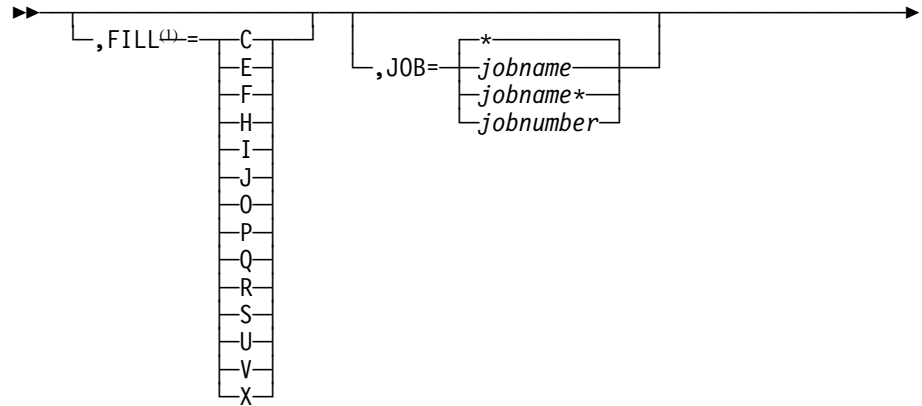
**Reference:** CA-7 Commands Guide

These commands display jobs that have been brought into the queues for processing and allow you to change their status.

Command	Keywords
XPOST XSPOST	FILL, JOB, NW, STN, SUBID
XPRE XSPRE	FILL, JOB, NW, STN, SUBID
XQ	FILL, JOB, LIST, Q, SEQ
XQJ	FILL, JOB, LIST, Q, SEQ
XQM	FILL, JOB, LIST, Q, SEQ
XQN	FILL, JOB, LIST, Q, SEQ
XRQ	JOB, LIST
XRST	JOB
XUPD	JOB

The following syntax diagram summarizes keyword values for this command.

### Work Flow Display Commands Keywords



**Note:**

<sup>1</sup> See Table 4-1 for a description of parameters.

Table 4-1. Fill Parameter Values

C (Cancel)	P (Respond to prompt)
E (Edit JCL)	Q (Requeue)
F (Go to restart panel) or (forced station login)	R (Release)
H (Hold)	S (Submit time off)
I (Normal login)	U (Update)
J (JCL override)	V (Verification)
O (Logout)	X (Requirement post)

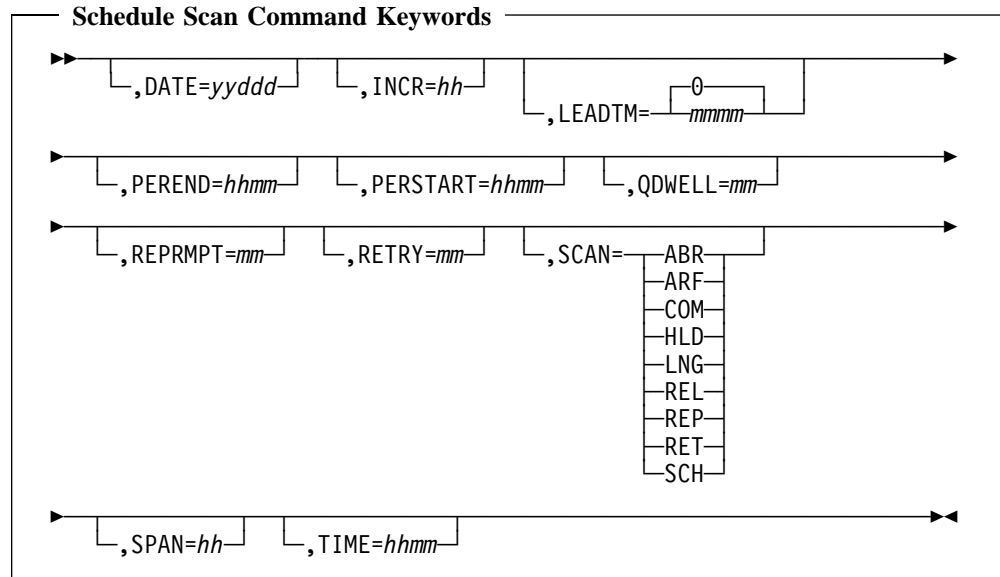
# Chapter 5. Schedule Scan Command

**Reference:** CA-7 Commands Guide

This command displays the options that control the way CA-7 scans the database looking for jobs and networks that are scheduled for processing. You can also use this command to change those options.

Command	Keywords
SSCAN	DATE, INCR, LEADTM, PEREND, PERSTART, QDWELL, REPRMPT, RETRY, SCAN, SPAN, TIME

The following syntax diagram summarizes keyword values for this command.





# Chapter 6. Resolve Command

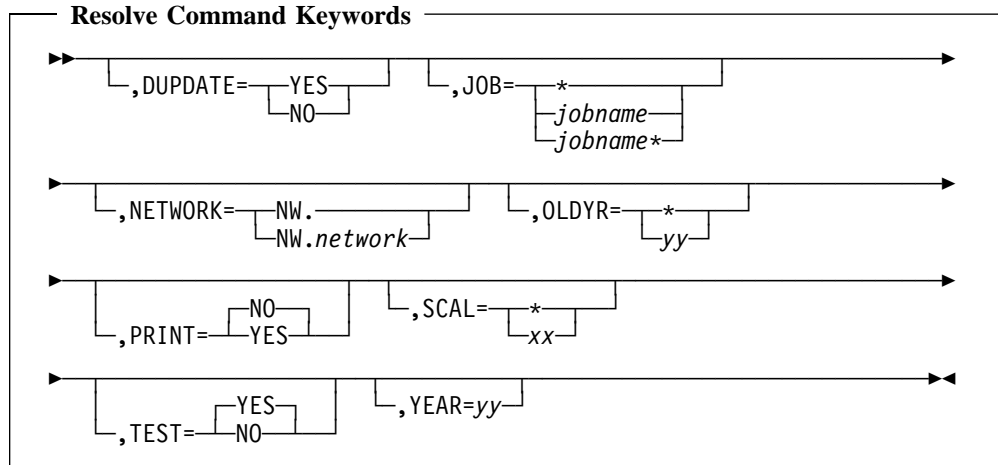
---

**Reference: CA-7 Commands Guide**

This command creates or changes schedules for jobs and networks which are to be processed on a date/time basis.

Command	Keywords
RESOLV	DUPDATE, JOB, NW, OLDYR, PRINT, SCAL, TEST, YEAR

The following syntax diagram summarizes keyword values for this command.





## Chapter 7. Scheduled Override Statements

---

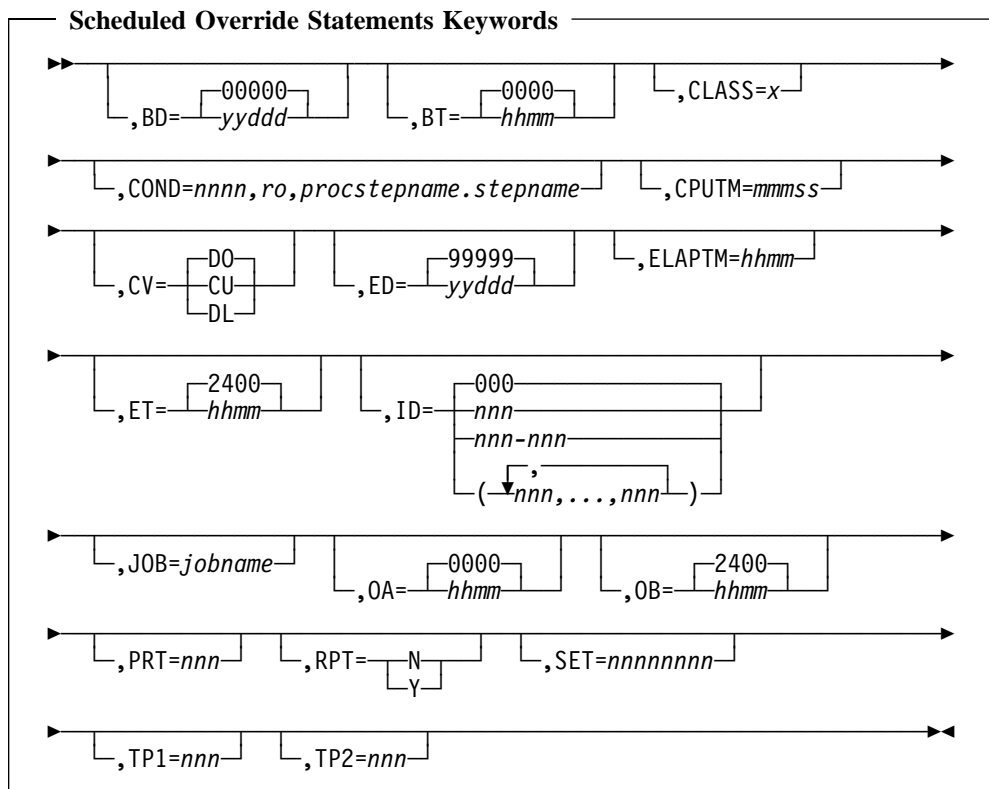
### Reference: CA-7 Database Maintenance Guide

Use these statements to override JCL and other statements that are included in the JCL for a job, thereby dynamically changing run stream contents to fit the needs of a particular run.

Override Statement	Function
#ARF, SET=	Overrides the ARFSET designation on the DB.1 screen
#HLD	Hold job in request queue
#JCL	Set a JCL override requirement
#JEND	End of #Jx override statements
#JI, BD=, BT=, ED=, ET=, ID=, JOB=, RPT=, CV=, OA=, OB=	Include statements at queue entry time
#JO, BD=, BT=, ED=, ET=, ID=, JOB=, RPT=, CV=, OA=, OB=	Omit statements at queue entry time
#MNT	Set run to maintenance type
#MSG,xxx...x	Send message to master station
#NOX	Make run nonexecutable
#NTR	Turn off triggering for this run
#RES, TP1=, TP2=, CPUTM=, ELAPTM=, PRT=, CLASS=,	Change resources
#SSC,COND=	Define step-level condition code tests
#VER	Set verification requirement on
#XEND	End of #Xx override statements

Override Statement	Function
#XI, BD=, BT=, ED=, ET=, ID=, RPT=, CV=, OA=, OB=	Include statements at submission time
#XO, BD=, BT=, ED=, ET=, ID=, RPT=, CV=, OA=, OB=	Omit statements at submission time
#7UNI	Flags JCL to be used to send work to CA-Unicenter

The following syntax diagram summarizes keyword values for these commands.





## Chapter 8. Text Editor Commands

---

**Reference:** CA-7 Database Maintenance Guide

Use these commands to create and change JCL for queued JCL or to add free-form documentation to the CA-7 database.

### 8.1.1 Alternate Edit Mode

BREAK [nn]	JCLL
CLEAR	JCLS
Copy i[,m,n,t]	JCLSR
Delete m[,n]	JCLSS
Edit	List [m,n]
Edit LIST [m,n]	Move i[,m,n,t]
Edit /string/[m,n]	RENUM m,i
Edit /string1/string2/[m,n]	SAVE
Edit /string1//[m,n]	SCALE [OFF]
Edit //string1/[m,n]	SR
Edit x[,y]	SS
EXIT	STATUS
FEM [n]	TRACE EDIT[OFF]
INsert [m,i]	XSEQ [OFF]
JCL	

## 8.1.2 Full Edit Mode

BOTtom	Move i[,m,n,t]
BREAK [nn]	NOFILL
COL [n,m]	NONUM
Copy i[,m,n,t]	NUM
EXIT	PB[n]
FILL	PF[n]
FIND /xxx...x/[n,m]	RENUM m,i
HB [n]	RETURN
HF [n]	SAVE
Insert [m,i]	SCALE [OFF]
JCL	SR
JCLL	SS
JCLS	STATUS
JCLSR	TOP
JCLSS	TRACE EDIT[OFF]
JCLxx nn,yydd,hhmm	UPPER
MD [n]	XSEQ [OFF]
MIXED	

## Chapter 9. Forecasting Commands

---

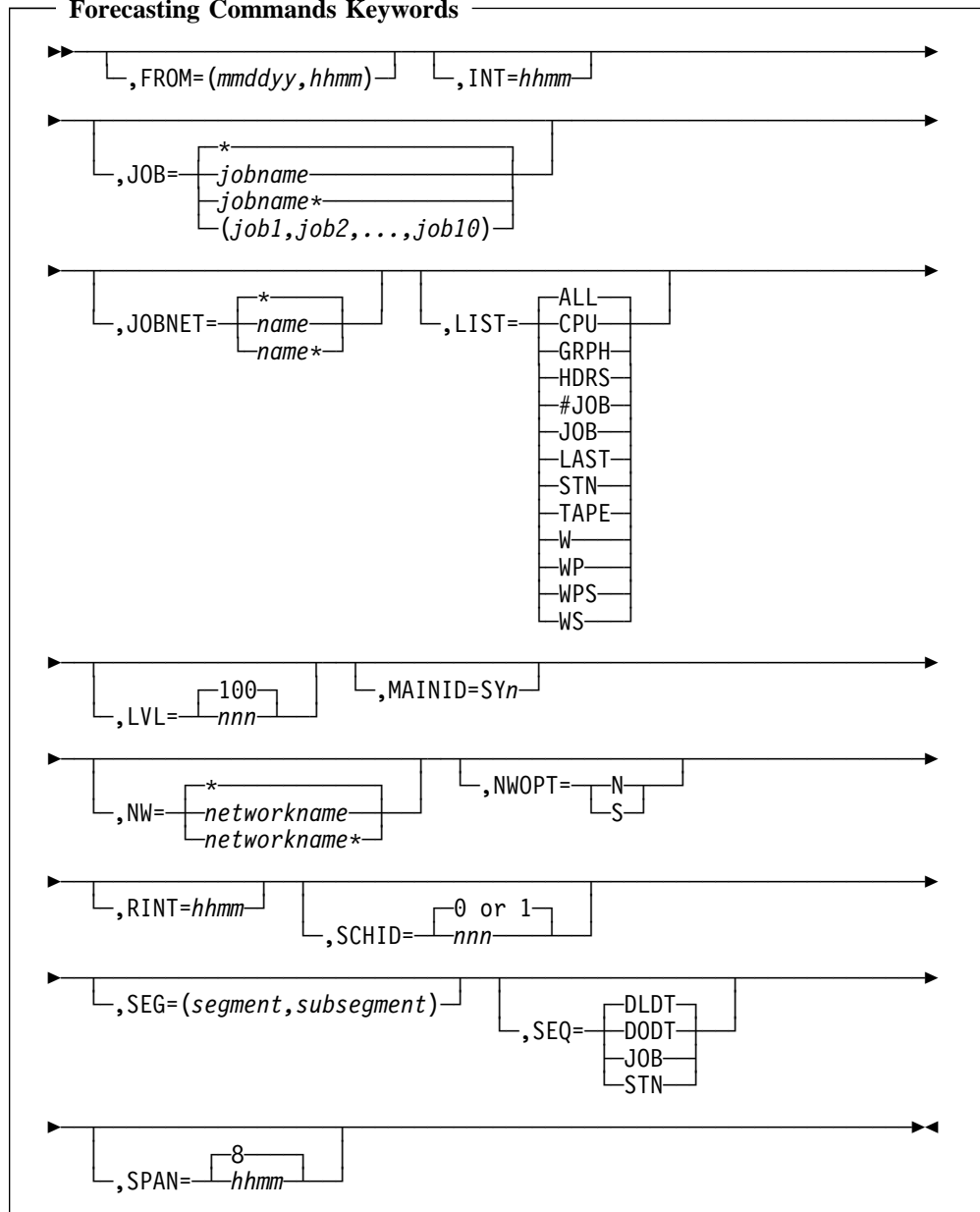
### Reference: CA-7 Commands Guide

These commands forecast information. Use them to project the scheduled workload for a given period of time, graphically display the projected workload for successive short time intervals, or report on tapes and JCL overrides ahead of their actual submission time.

Command	Keywords
FALL	FROM, JOB, JOBNET, LIST, LVL, MAINID, NW, NWOPT, RINT, SCHID, SEQ, SPAN, STN, SYS, TO, TRIG, TYPE
FJOB	FROM, JOB, JOBNET, LIST, LVL, MAINID, NWOPT, RINT, SCHID, SEG, SEQ, SPAN, SYS, TO, TRIG, TYPE
FPOST	FROM, NW, RINT, SEQ, SPAN, STN, TO
FPRE	FROM, NW, RINT, SEQ, SPAN, STN, TO
FQALL	JOB, JOBNET, LIST, LVL, MAINID, NW, RINT, SEQ, SPAN, STN, SYS, TO, TRIG, TYPE
FQJOB	JOB, JOBNET, LIST, LVL, MAINID, NWOPT, RINT, SEG, SEQ, SPAN, SYS, TO, TRIG, TYPE
FQPOST	NW, RINT, SEQ, SPAN, STN, TO
FQPRE	NW, RINT, SEQ, SPAN, STN, TO
FQRES	INT, JOB, JOBNET, LIST, LVL, NW, SPAN, STN, SYS, TO, TRIG
FQSTN	NW, RINT, SEQ, SPAN, STN, TO
FQTAPE	JOB, JOBNET, SPAN, SYS, TO, TRIG
FRES	FROM, INT, JOB, JOBNET, LVL, LIST, NW, SCHID, SPAN, STN, SYS, TO, TRIG
FRJOB	JOB, JOBNET, LIST, LVL, SCHID, SYS
FRQJOB	JOB, JOBNET, LIST, LVL, SCHID, SYS
FSTN	FROM, NW, RINT, SEQ, SPAN, STN, TO
FSTRUC	FROM, JOB, JOBNET, LIST, LVL, SCHID, SYS, TRIG, TYPE
FTAPE	FROM, JOB, JOBNET, SCHID, SPAN, SYS, TO, TRIG

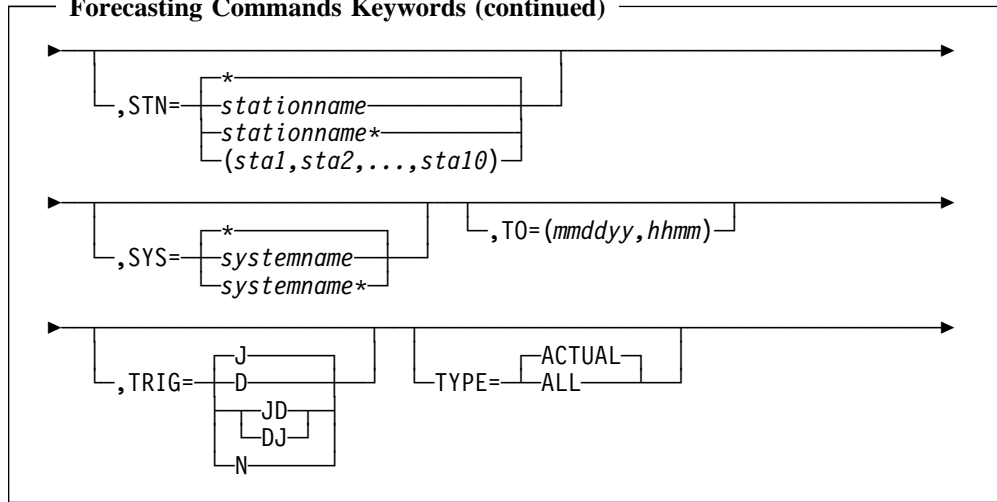
The following syntax diagram summarizes keyword values for these commands.

### Forecasting Commands Keywords



(continued)

**Forecasting Commands Keywords (continued)**





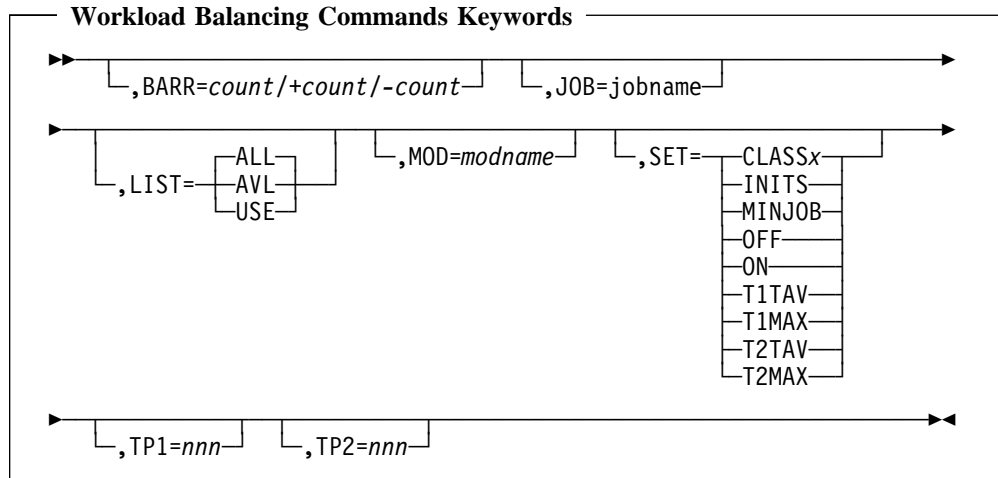
# Chapter 10. Workload Balancing Commands

Reference: CA-7 Commands Guide

Workload Balancing (WLB) analyzes jobs waiting for execution and sets priorities for submittal by preset criteria, which include due-out times, CPU usage, tape drive usage, user assigned priorities, and external events.

Command	Keywords
/WLB	BARR, SET
LWLB	MOD, LIST
RESCHNG	JOB, TP1, TP2
XWLB	

The following syntax diagram summarizes keyword values for these commands.







# Chapter 11. Workload Planning Commands

---

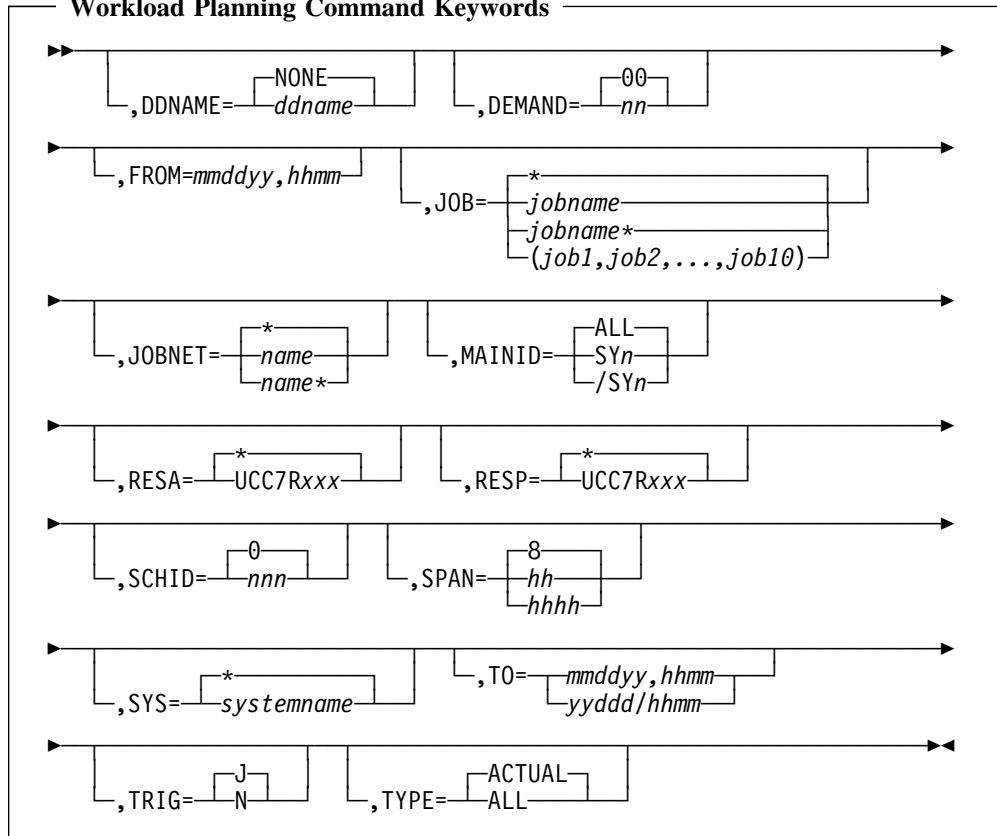
**Reference:** CA-7 Commands Guide  
CA-7 Reports Guide

Workload planning (WLP) simulates and reports on what could have happened in the data center as well as what should happen, given new processing objectives for the existing workload.

Command	Keywords
FWLP	DDNAME, DEMAND, FROM, JOB, JOBNET, MAINID, RESA, RESP, SCHID, SPAN, SYS, TO, TRIG, TYPE

The following syntax diagram summarizes keyword values for this command.

### Workload Planning Command Keywords



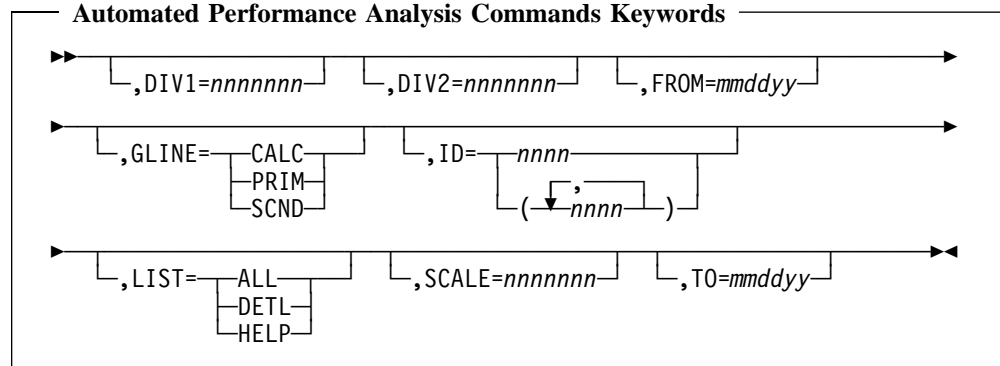
# Chapter 12. Automated Performance Analysis Commands

**Reference:** CA-7 Commands Guide  
CA-7 Reports Guide

Automated Performance Analysis (APA) is a reporting system that provides reports online or in batch for any time period specified, from the current time back through the previous two years.

Commands	Keywords
GRAPHD GRAPHJ GRAPHN GRAPHS	DIV1, DIV2, FROM, GLINE, ID, LIST, SCALE, TO

The following syntax diagram summarizes keyword values for this command.





## Chapter 13. Utility Commands

---

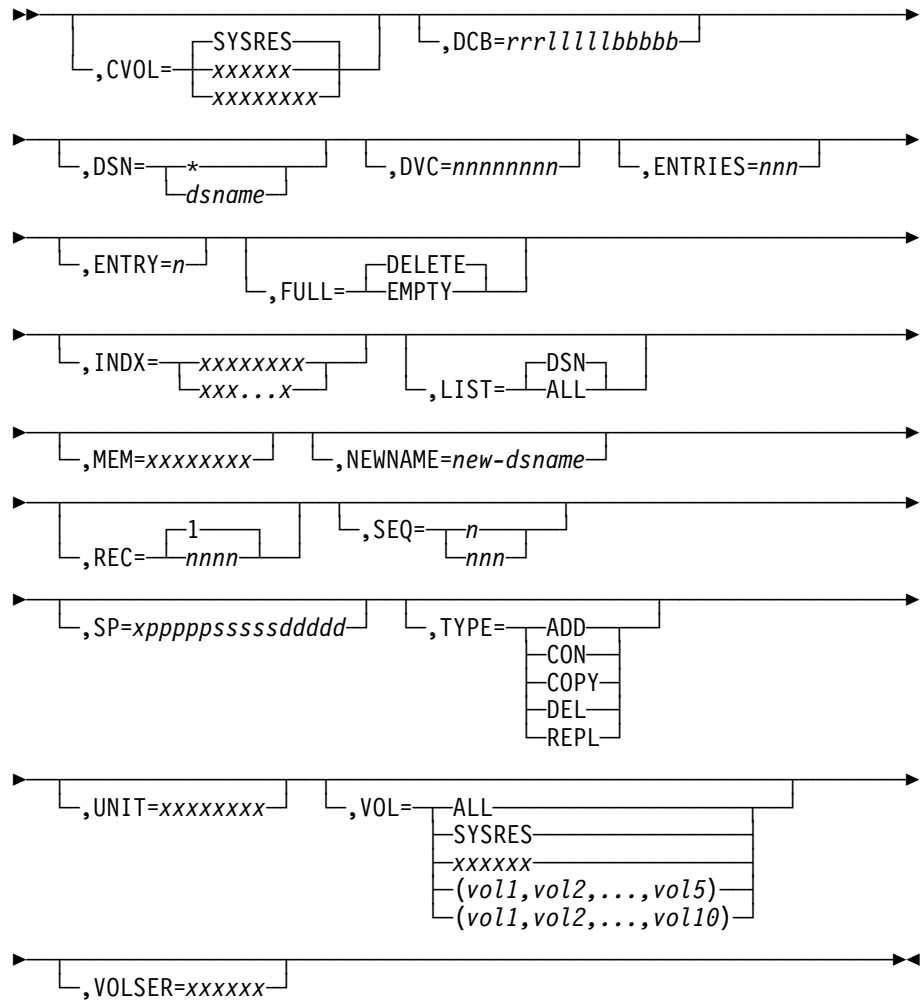
**Reference:** CA-7 Commands Guide

Use these commands to perform various utility functions, like cataloging data sets, allocating volumes, and displaying DASD information.

Command	Keywords
AL or ALC	DCB, DSN, SP, VOL
ALLOC	UNIT, VOL
BLDG	ENTRIES, FULL, INDX
CAT	CVOL, DSN, DVC, SEQ, UNIT, VOL
CONN	INDX, VOL
CTLG	DSN, DVC, ENTRY, SEQ, TYPE, VOL
DCONN	INDX
DEALLOC	VOL
DLTX	CVOL, INDX
DMPCAT	CVOL, DSN
DMPDSCB	DSN, VOL
DMPDSN	DSN, MEM, REC, VOL
FIND	DSN, VOL
LISTDIR	DSN, MEM, VOL
LOC	DSN, VOLSER
MAP	DSN, LIST, VOL
RENAME	DSN, NEWNAME, VOL
SCRATCH SCRATCHP	DSN, VOL
SPACE	VOL
UNC	CVOL, DSN
UT	

The following syntax diagram summarizes keyword values for this command.

### Utility Commands Keywords



# Chapter 14. Automated Recovery Facility Panels

---

**Reference:** CA-7 Database Maintenance Guide

Use the automated recovery facility panels to add, delete, or update sets of ARF condition definitions.

ID	Name
AR.3	ARF Condition Definition Maintenance





## Chapter 15. Database Maintenance Panels

---

### Reference: CA-7 Database Maintenance Guide

Use the database maintenance panels to define jobs, networks, data sets, and predecessors; schedule jobs and networks; add documentation to the CA-7 database; maintain JCL; and access and clear the CA-7 text editor. To display the Database Maintenance Menu, type DB on any CA-7 panel.

ID	Name
DB	Database Maintenance Menu
DB.1	CPU Job Definition
DB.2	Scheduling Menu
DB.2.1	CPU Job Scheduling
DB.2.1-E	CPU Job Scheduling Parameter Edit
DB.2.2	Input Network Scheduling
DB.2.2-E	Input Network Scheduling Parameter Edit
DB.2.3	Output Network Scheduling
DB.2.3-E	Output Network Scheduling Parameter Edit
DB.2.4	Job Triggering
DB.2.5	Input Network Triggering
DB.2.6	Data Set Triggering
DB.2.7	Modification to Resolved Schedule Dates
DB.2.8	Base Calendar Maintenance
DB.3	Job Predecessor/Successor Menu
DB.3.1	Data Set Predecessors
DB.3.2	CPU Job Predecessors
DB.3.4	Input/Output Network Tasks
DB.3.6	User Memo-Form Predecessors
DB.3.7	Report IDs Created
DB.4	Workload Documentation Menu
DB.4.1	CPU Job Documentation
DB.4.2	Input/Output Network Documentation
DB.4.3	User-Defined Item Documentation

<b>ID</b>	<b>Name</b>
DB.4.4	Dataset Documentation
DB.4.5	DD Statement Documentation
DB.4.6	Application System Documentation
DB.5	Input/Output Network Definition
DB.6	Data Set Definition
DB.7	JCL Library Maintenance

## Chapter 16. Queue Maintenance Panels

---

### Reference: CA-7 Commands Guide

Use the queue maintenance panels to display status, change JCL, and control jobs and networks that have been brought into the CA-7 queues for processing. To display the Queue Maintenance Menu, type QM on any CA-7 panel.

ID	Name
QM	Queue Maintenance Menu
QM.1	CPU Jobs Status Prompt
QM.1-X	CPU Jobs Status
QM.1-XC	Reason for Cancel
QM.1-M	CPU Jobs Status (RQMTS)
QM.2	CPU Job Predecessors Prompt
QM.2-X	CPU Job Predecessors
QM.3	CPU Job Attributes Prompt
QM.3-X	CPU Job Attributes
QM.4	CPU Job in Restart Status Prompt
QM.4-X	CPU Job in Restart Status
QM.5	Queued JCL
QM.6	Input Networks Prompt
QM.6-X	Input Networks (1-Up Display)
QM.6-S	Input Networks (2-Up Display)
QM.7	Output Networks Prompt
QM.7-X	Output Networks (1-Up Display)
QM.7-S	Output Networks (2-Up Display)



# Chapter 17. Virtual Resource Management Panels

---

**Reference:** CA-7 Database Maintenance Guide

Use the Virtual Resource Management (VRM) panels to define job to resource dependencies, list jobs using VRM resources, display pending resources and add, update, or delete a resource type count resource. To display the Virtual Resource Management Menu, type RM on any CA-7 panel.

<b>ID</b>	<b>Name</b>
RM	Virtual Resource Management Menu
RM.1	Job Resource Management
RM.2	Job/Resource Cross Reference List
RM.3	Active Job Resources Display
RM.4	Pending Resources Job Display
RM.5	Jobs Waiting on Resources
RM.6	Corequisite Resources List
RM.7	Resource Count Resource Management



## Chapter 18. Utility Panels

---

### Reference: CA-7 Commands Guide

Use the utilities panels to perform various utility functions. These include cataloging data sets, allocating volumes, and displaying DASD information. To display the Utilities Menu, type UT on any CA-7 panel.

ID	Name
UT	Utilities Menu
UT.1	Allocate Dataset
UT.2	Catalog Dataset
UT.3	Rename Dataset
UT.4	Scratch Dataset
UT.5	Uncatalog Dataset
UT.6	Build GDG Index
UT.7	Delete Index
UT.8	Connect a Catalog
UT.9	Disconnect a Catalog
UT.10	Find DSN on DASD
UT.11	Allocate Volume
UT.12	Deallocate Volume
UT.13	Display Format 1 DSCB
UT.14	Display Directory Info
UT.15	Display Dataset Attributes Map
UT.16	Display Available DASD Space
UT.17	Display Physical Data Records
UT.18	Display Catalog Block
UT.19	Display Catalog Entries





# Chapter 19. History Reports

---

**Reference: CA-7 Reports Guide**

CA-7 creates log data set records which are used by the history reporting facility to create reports on system activity.

<b>Report ID</b>	<b>Report title</b>
01	Scheduled Jobs Not Run
02	Transaction Detail
03	Log Dump
04	Scheduled vs. Actual Job
05	Scheduled vs. Actual Station
06	Job Processing Activity
07	Workstation Activity
08	Master Station Activity (Browse data set)
30	Security Exception
50	Last Logged Status of Jobs Generated Batch Terminal Interface Commands Simulated LQ Display of Jobs Recovery Aid Batch Commands
70	Internal Activity Trace



## Chapter 20. Workload Planning Reports

---

**Reference:** CA-7 Reports Guide

The workload planning facility generates reports that provide resource usage and job run information, based on simulated runs.

<b>Report ID</b>	<b>Report title</b>
WLP01	Card Input Edit
WLP02	Hourly INIT Usage Projection
WLP03	Hourly TP1 Usage Projection
WLP04	Hourly TP2 Usage Projection
WLP05	Hourly CPU Usage Projection
WLP06	Resource Summary Projection
WLP07	Job Summary - Projection Job Summary - Actual Detailed Resource Utilization - Projection Detailed Resource Utilization - Actual



# Chapter 21. CA-Earl and CA-Easytrieve Plus Reports

---

## Reference: CA-7 Reports Guide

The CA-7 CA-Earl and CA-Easytrieve Plus interfaces provide a number of predefined reports. The reports are produced by defining the desired data and the date/time range for the report **and** selecting the appropriate predefined CA-Earl or CA-Easytrieve Plus definition. These definitions are selected by using a "request ID." A batch job then produces the desired reports.

## 21.1 Reports Available from Log History Data

Report title	Request ID*	Log type
CA-7 Job Completion Profile	CA7xx001	161
CA-7 Request Queue Activity Profile	CA7xx002	161
CA-7 Ready Queue Activity Profile	CA7xx003	161
CA-7 Active Queue Activity Profile	CA7xx004	161
CA-7 Preprocessing Queue Activity Profile	CA7xx005	161
CA-7 Postprocessing Queue Activity Profile	CA7xx006	161
CA-7 Prior-Run Queue Activity Profile	CA7xx007	161
CA-7 Database DSD/DSM Record Activity Profile	CA7xx008	161
CA-7 Database JBD/JBM Record Activity Profile	CA7xx009	161
CA-7 Database NWD/NWM Record Activity Profile	CA7xx010	161
CA-7 Database PPD/PPM Record Activity Profile	CA7xx011	161
CA-7 Database SID/SIM Record Activity Profile	CA7xx012	161
CA-7 Database SJD/SJM Record Activity Profile	CA7xx013	161
CA-7 Database SOD/SOM Record Activity Profile	CA7xx014	161
CA-7 Database Type I Record Activity Profile	CA7xx015	161
CA-7 Composite Database Activity Profile	CA7xx016	161
CA-7 Composite Queue Activity Profile	CA7xx017	161
CA-7 Queue Posting Activity	CA7xx018	117
CA-7 Job Scheduling/Completion Activity	CA7xx019	161
CA-7 Tape Data Set Activity	CA7xx020	161
CA-7 DASD Data Set Activity	CA7xx021	161
CA-7 Workstation Network Scheduling Activity	CA7xx022	161
CA-7 Input Network Performance Profile	CA7xx023	161
CA-7 Output Network Performance Profile	CA7xx024	161
CA-7 Communications Data Set Activity	CA7xx025	161
CA-7 Schedule Scan Activity	CA7xx026	161
CA-7 Queue Allocation Usage Profile	CA7xx027	162

<b>Report title</b>	<b>Request ID*</b>	<b>Log type</b>
CA-7 Job Termination Posting Dwell Time	CA7xx028	005
CA-7 Job Completion Dwell Time	CA7xx029	105
CA-7 Queue Entry Dwell Time	CA7xx030	105
CA-7 Transaction Response Time Profile	CA7xx031	161
CA-7 /LOG Command Detail	CA7xx032	129
CA-7 Trailer Queue Activity Profile	CA7xx033	161
CA-7 CA-7 In-Storage Trailer Queue Profile	CA7xx034	162
CA-7 Performance Statistics Information Job Report	CA7xx035	161
CA-7 Performance Statistics Information System Report	CA7xx036	161
CA-7 Job Completion Table Data	CA7xx037	162

\* Where xx is ER for CA-Earl and EZ for CA-Easytrieve Plus.

## 21.2 Reports Available from Database Backup

Report title	Request ID*
CA-7 Data Sets with No Associated Jobs	CA7xx701
CA-7 Workstation Networks with No Associated Jobs	CA7xx702
CA-7 Roster for Prose Type: System	CA7xx703
CA-7 Roster for Prose Type: Job	CA7xx704
CA-7 Roster for Prose Type: Data Set	CA7xx705
CA-7 Roster for Prose Type: Network	CA7xx706
CA-7 Roster for Prose Type: User	CA7xx707
CA-7 Roster for Prose Type: DD	CA7xx708
CA-7 CPU Job Schedules with Current SCHDMOD	CA7xx709
CA-7 Input Network Schedules with Current SCHDMOD	CA7xx710

\* Where xx is ER for CA-Earl and EZ for CA-Easytrieve Plus.





